



Separation made simple.



The DT360 has many features which are attractive to dairymen as they balance performance, reliability and labor and maintenance costs with the manure handling challenges facing today's dairies. Because your time, as well as your crew's, are best spent on tasks which make the dairy more productive, time spent maintaining and cleaning screens is preferably minimized. The automated spray bar, that can be configured for any timing sequence, allows for ongoing cleaning of the screens with minimal labor required.

Our belt driven screen is simply the superior system on the market. Coupled with idler wheels with sealed stainless bearings, the DT360 promises extended periods of maintenance free operation, with infrequent belt changes being simple and inexpensive to perform. The DT360 is as trouble free as a machine can get.

Manufactured in the USA!

DT360 Separator

In response to the dairy industry's demand for a reliable, self cleaning manure separator at a reasonable price, DariTech developed the concept of an internally fed rotary screen with an external spray bar. We are pleased and proud to present the DT360, our internally fed rotary manure separator. The latest addition 48" separator, gives double the capacity of the well proven original 36" separator, with a similar footprint.

Screen Size	Punch Screens			SS Wire Mesh Screens			
	3/16	1/8	1/16	20	30	40	80
36" Primary	1000 cows	1000 cows	800 cows	800 cows	-	-	-
36" Secondary	-	-	-	1000 cows	1000 cows	thickening	thickening
48" Primary	4000 cows	3000 cows	2000 cows	1500 cows	-	-	-
48" Secondary	-	-	-	2000 cows	2000 cows	thickening	thickening

All specifications are approximate, depending on water usage and bedding material.

Screen sizes available in each model: 3/16", 1/8", 1/16" punch screens & 20, 30, 40, 80 SS wire mesh screens.

36" DT360



48" DT360

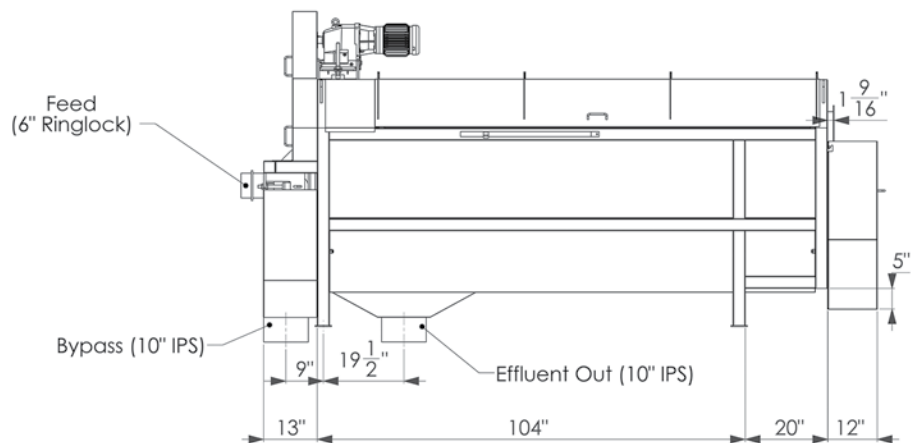
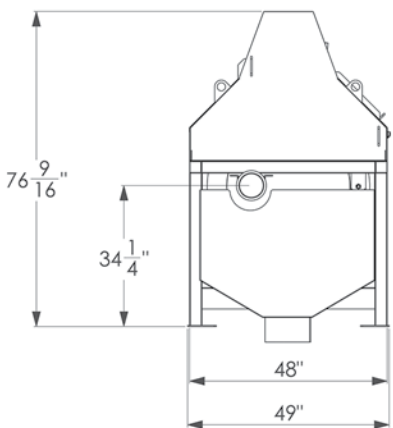


DT360

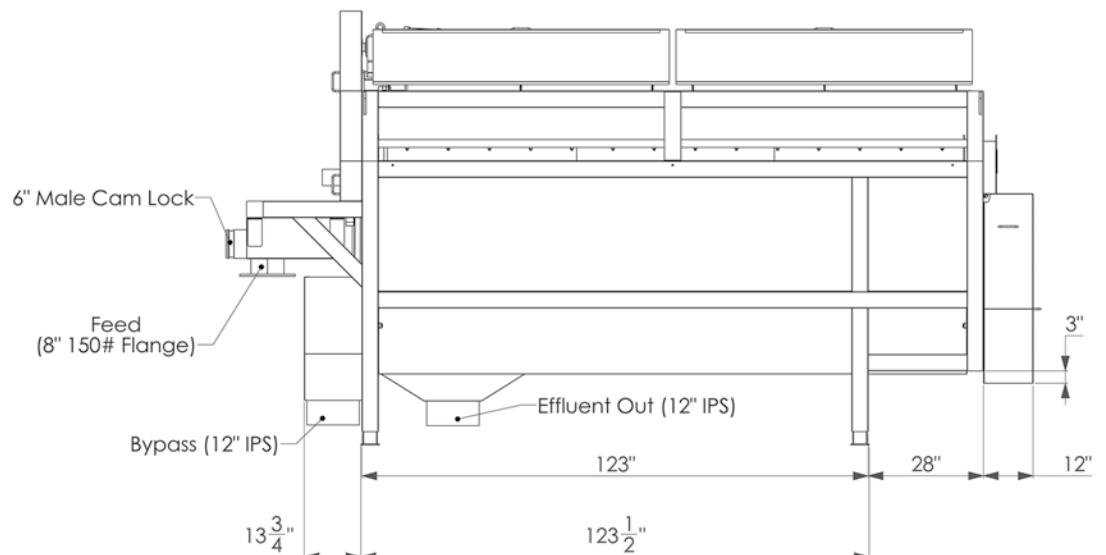
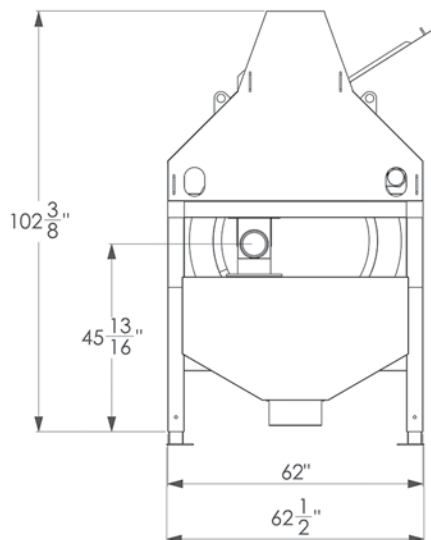
Summary of Specs

- Low horsepower operation
- 3" Stainless steel tubular frame construction
- Solid nylon idler wheels with sealed SS bearings
- Gearbox made in the U.S.
- Built in bypass system
- Non-slip belt drive
- Drive system well out of harms way
- External CIP standard
- Proven roller press
- No daily cleaning required
- Mesh and hybrid screens available
- Custom engineered plans available

36" DT360



48" DT360



A separator to fit every application!



Reliable, self cleaning DT360 separators are used for primary and secondary separation to create high capture and high quality flush to be used over and over again.

